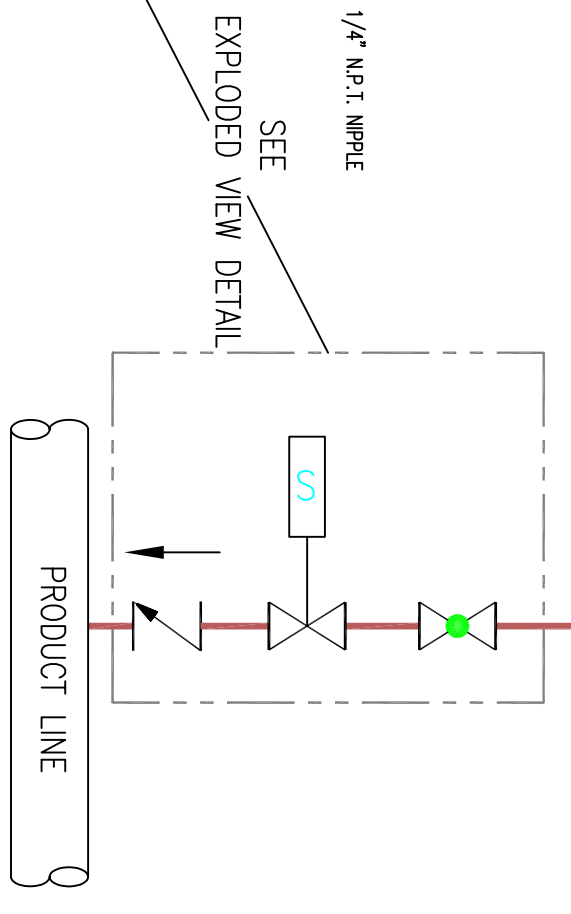
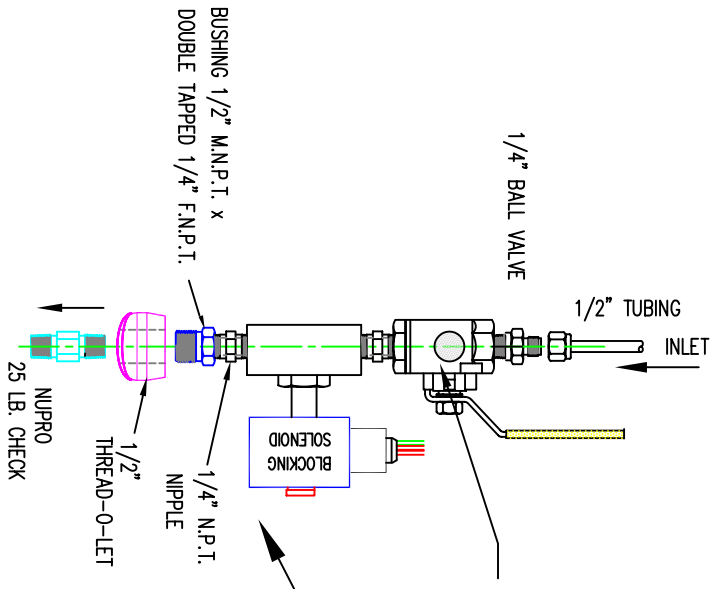
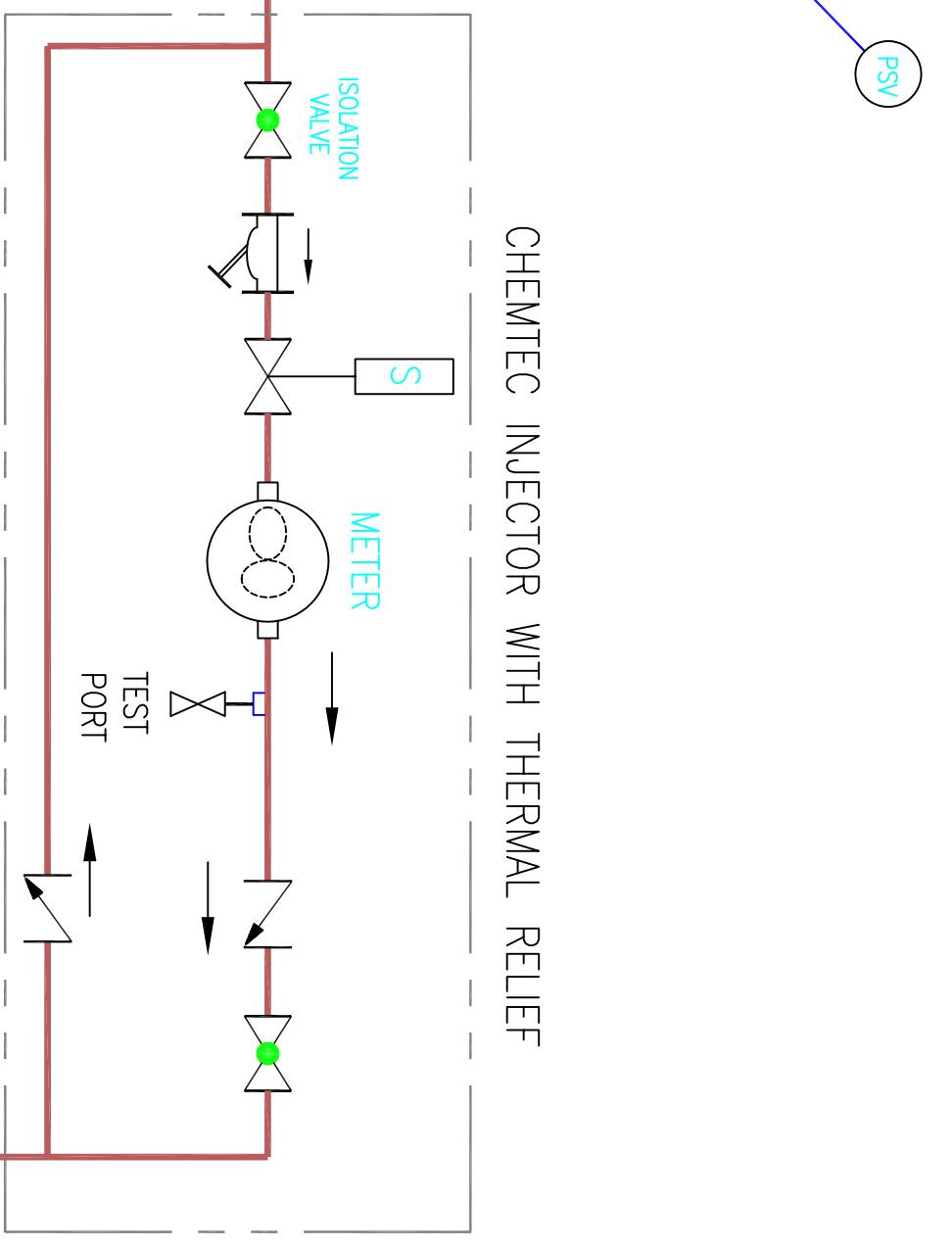
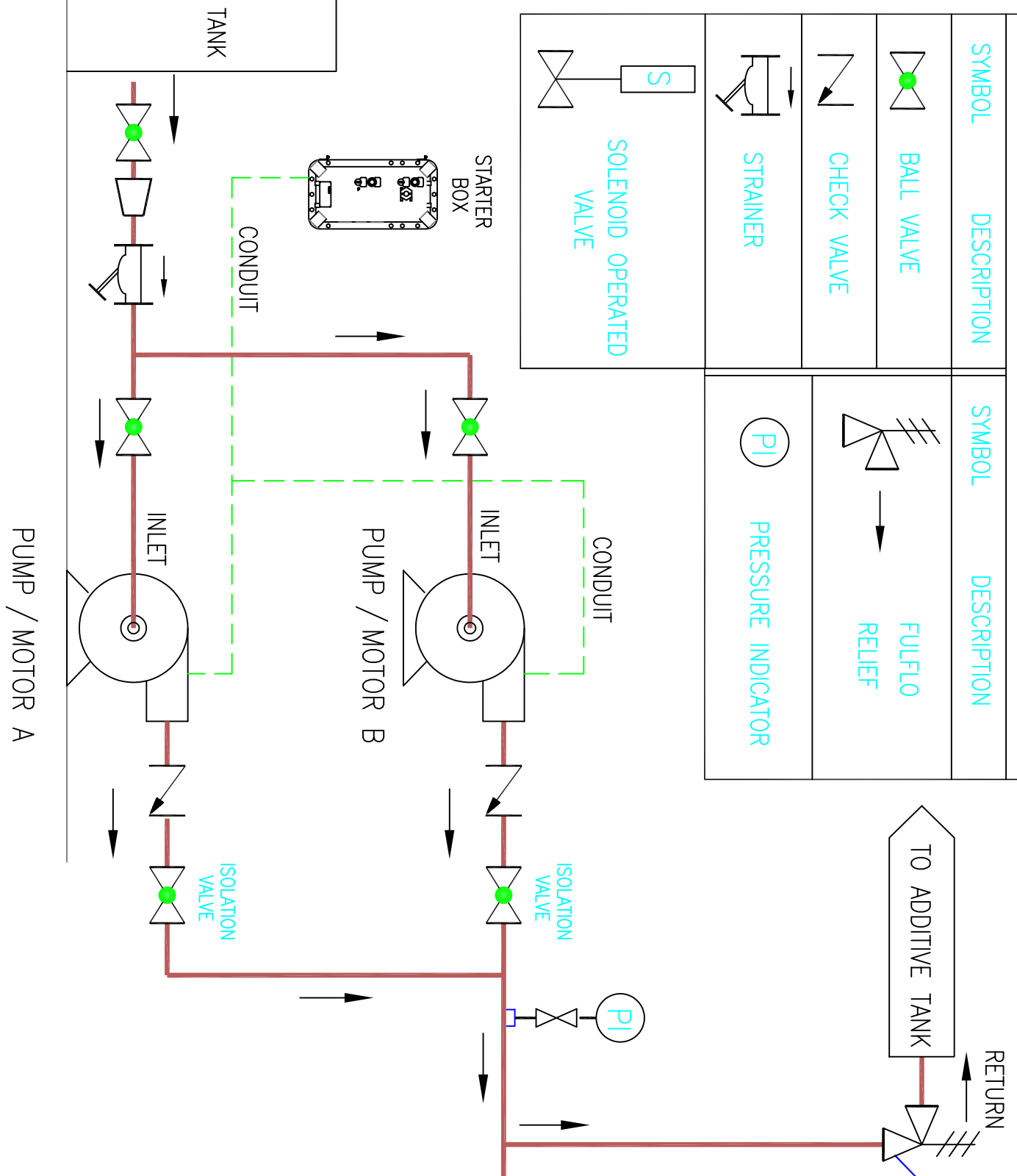


LEGEND			
SYMBOL	DESCRIPTION	SYMBOL	DESCRIPTION
	BALL VALVE		FULL FLOW RELIEF
	CHECK VALVE		PRESSURE INDICATOR
	STRAINER		



EXPLODED DETAIL VIEW
PN: 77-1K-DYE2000

Chemtec Energy Services, Inc.
11745 Cude Cemetery Road
Willis, Texas 77318

SCALE	DATE	APPROVALS
DRAWN BY LLOYD	02-04-06	
CHECK BY		

DYE SYSTEM P. & I.D.
TYPICAL

SIZE	PLANT	DRAWING NUMBER	REV
		STANDARD-02-04-06	