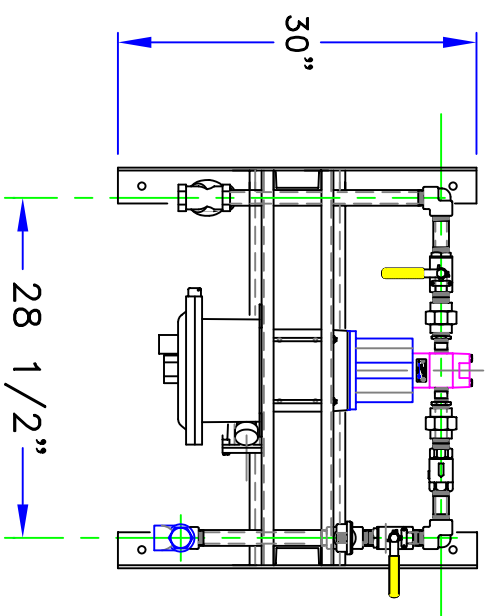
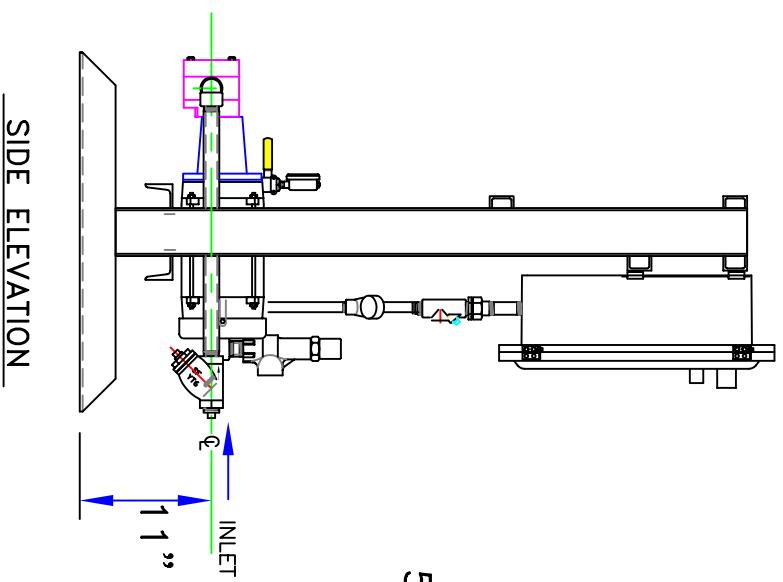


PLAN VIEW

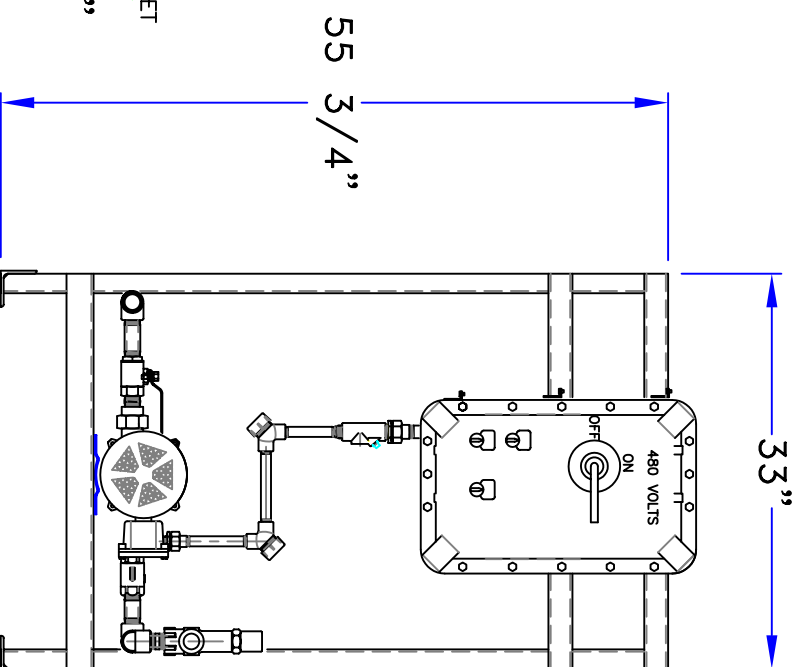
ANCHOR BOLT HOLE PATTERN



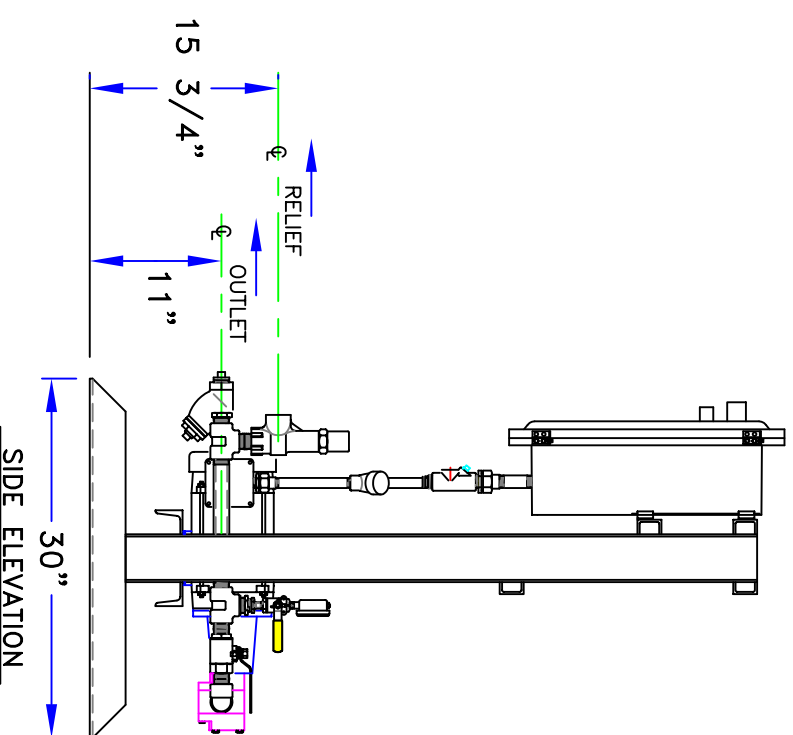
PLAN VIEW



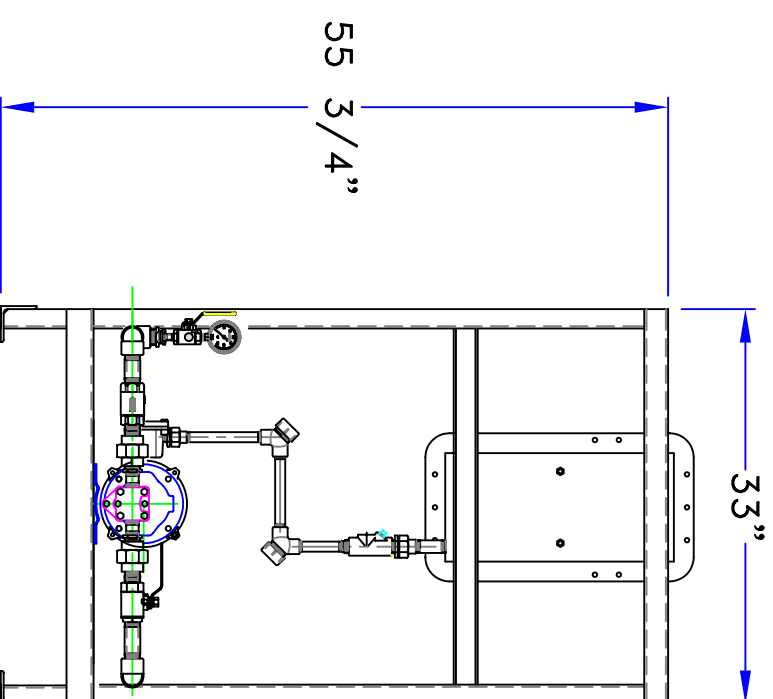
SIDE ELEVATION



FRONT ELEVATION



SIDE ELEVATION



REAR ELEVATION

REVISIONS				
No.	REVISION DESCRIPTION	DATE	DMN	CHK



Chemtec Energy Services, Inc.  
11745 Cude Cemetery Road  
Willis, Texas 77318

SCALE		APPROVALS	
DRAWN BY	DATE	CHECK BY	DATE
LLOYD	01-10-06		

**PUMP RACK (TYP.)**  
SINGLE PUMP AND MOTOR

SIZE	DRAWING NUMBER	REV
	SNGL-PMP_02-22-06	